



LYNCH

MEETING HIRE DEMANDS

LYNCH TRANSPORT

- **NATIONWIDE COVERAGE**
- **5% FUEL SAVING**
- **18 MONTH AVERAGE AGE OF FLEET**



ABOUT US

Lynch Transport facilitates the fast, efficient movement of mechanised plant, materials and other heavy specialist loads across the UK.

As a plant hire company Lynch understands the importance of transporting these types of payloads around the country and therefore we do everything in our power to ensure that they are delivered to their destination both securely and, importantly, on time.

Our expansive and modern fleet, comprising of Artic Hiabs, 32t Hiabs, low-loaders, beavertail lorries, tippers and grabs, is well-maintained and means we can provide cost-effective solutions for your transport requirements often at very short notice.

Lynch always strives to be best in class at all levels of compliance and, with over thirty three years of experience in the industry, Lynch's directors and management team are committed to maintaining and building upon our reputation and mission statement of 'Meeting Hire Demands'.



LYNCH IS ONE OF THE LEADING AND MOST TRUSTED NAMES IN TRANSPORT





“Lynch has supported the Crossrail Bond Street project over the past four years, engaging with a can-do, positive attitude towards safety, providing the necessary plant to suit the construction requirement and development of the tunnel construction. ”

Paul Brooks,
Construction Manager,
Costain

MEETING HIRE DEMANDS

Vision

To be recognised as the best ‘Operated Plant and Haulage’ provider nationwide.

Values

Lynch is OURS

- **Can do:** willingness, energy, and a freedom to operate
- **Passion:** enthusiasm and a desire to deliver excellent service
- **Reward:** recognition for success

Mission

Being the best means ‘Meeting Hire Demands’

- **Safety:** We will always operate safely without compromise.
- **Plant:** We will provide the most modern and reliable equipment as specified by our customers.
- **Operators:** We are passionate about providing operators who are personable, highly effective and the best fit for our customers’ requirements.
- **Administration:** We understand the importance of attention to detail and accurate administration.
- **Service:** We will provide a friendly, knowledgeable and trustworthy service. In the unlikely event that things don’t go to plan we will respond in a timely and effective manner.

OUR PRIME MOTIVATION IS THE COMPLETE SATISFACTION OF OUR CUSTOMERS.



020 8900 0000

FOR HIRE

FOR HIRE

LYNCH
HEAVY HAULAGE

LYNCH HEAVY HAULAGE

26-540

BX08 CHD

STGO
CAT 3

95

LIEBH

954

OUR KEY PRIORITY IS TO
PROVIDE THE BEST QUALITY
SERVICE TO OUR CUSTOMERS



CUSTOMER SERVICE

Our management is one of the most experienced around and, as a result of this Lynch, has a unique understanding of its customer needs, and the necessary knowledge to deliver a comprehensive end-to-end service that exceeds expectations.

At Lynch we have a 'can do' attitude where 'everything is possible', which means we have become experts in short notice and last minute moves. With five depots and an external haulier network we can meet your transport requirements anywhere in the country, day and night.

- Our experienced and friendly desk personnel are plant professionals who will make the entire order process as easy as possible, as well as offering you the best advice, helping to make sure you always have the right machine for the job.
- Our client portal enables you to view all current orders from proof of delivery and collection, all the way through to invoicing — showing you a complete and transparent audit trail from start to finish.
- Flexible delivery and collection times mean you'll have your machinery and equipment on site when you need it.
- Our new fully digital software makes it easy to reconcile your costs on site. This complete portable delivery and collection system means no more missing tickets.



Sarah-Jane Barker, Direct Solutions



Many thanks to Lynch, especially your operators, for their excellent work Saturday night on the 1600 ton bridge removal. With their help the job was completed two hours ahead of schedule. Hopefully we can use your services on future contracts.”

Matthew K Wright
Operations Manager
Armac Group



“The project was extremely successful, driven by great service from Lynch. The Lynch operators worked as part of the Nuttall Team.”

Andy Findlater,
Bam Nuttall Project Manager,
M1 motorway technology
update project

SAFETY — DRIVER AND FLEET

All our drivers hold the Driver Qualification Card and we also require our drivers to attend the Safe Urban Driving module. This accredited course allows practical, on-road cycle training for drivers. This course enables them to get out on a bike and obtain a cyclist's view of the road.

- All drivers are fully vetted prior to working for Lynch, with a full driving assessment taken, plus checks on eyesight and driving licences, along with confirmation of Tacho cards and any other qualifications required to operate plant.
- Our fleet refurbishment programme ensures we have a modern, young and well maintained vehicle fleet, keeping us ahead of our competitors and benefitting us in our drive to reduce our carbon footprint year on year.
- Continual investment in the Euro 6 engine ranges gives us market-leading and cleaner vehicles throughout the industry.
- All our fleet have trackers giving us instant visibility on vehicle locations and route planning. Our onboard trackers also allow us to monitor our MPG and subsequently helps reduce our carbon footprint.

OUR PRIORITY IS TO ENSURE THAT ALL
LYNCH ROAD VEHICLES ARE DRIVEN
SAFELY WITH DUE CARE AND ATTENTION



020 8900 0000

FOR HIRE

LYNCH
HEAVY HAULAGE

LYNCH HEAVY HAULAGE

VOLVO

STGO
CAT 2

KX12 NKA

Barhale

Barhale

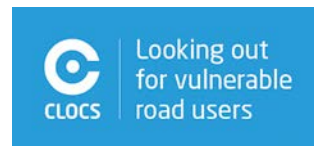


COMPLIANCE

Lynch strives to be best-in-class at all levels of compliance. Our vehicles have an MOT first-time pass rate above the national average supported by fully equipped and operational workshops to meet our customers' needs.

Lynch's fleet of modern vehicles is equipped with additional safety features which are fitted as standard at the purchase stage. This includes safety sensors and side guards.

Being a member of FORS (Freight Operators' Recognition Scheme) gives us added benefits while supporting our management and driver procedures. We are also members of the FTA (Freight Transport Association) as well as a Champion of CLOCS (Construction Logistics and Cycle Safety).



- All our vehicles have side guard rails.
- HGV vehicles are all fitted with a full 360 degree recordable camera system. This lends extra support to the driver to reduce any blind spots and is a great assistant. Furthermore, left turn warning devices are fitted to the outside of vehicles, giving pedestrians a warning when the driver intends to turn left at junctions.
- In the unlikely event of an incident this equipment can be downloaded onto a computer for full analysis and submission through insurance channels.
- Having recordable equipment installed onboard allows greater visibility of driver behaviour.
- A modern tracker system means we can monitor and improve in all areas, assisting the driver in gaining better miles per gallon, thus reducing emissions to the environment.



“Lynch supplied all our plant needs for this project with no fuss. Their operators worked as an integral part of our team, helping us meet our deadlines. We had weekly check up visits which showed that we had a dedicated plant hire company working for us.”

Alan Ferguson,
McNicholas Project Manager

WE MAINTAIN ABOVE THE NATIONAL AVERAGE MOT FIRST TIME PASS RATE



OUR MODERN FLEET IS

5%

MORE FUEL EFFICIENT

ENVIRONMENTAL

Lynch is fully committed to reducing its environmental impact and during 2013 our carbon footprint has been reduced by a further 5% with our mpg being improved by 1.70 miles per gallon. Despite an increased fleet size this has been achieved through innovation, training and moving to Euro 6 engines.

Additionally, during 2012, we were awarded the accreditation ISO 14001 – this has been achieved by good management and innovation in all our products and processes”



- We invest in modern vehicles, which has produced better performances on emissions.
- We monitor and reduce fuel consumption across our entire fleet.
- Our depots undertake all maintenance duties, reducing our transport footprint.
- We train our drivers in the best environmental practices and fuel-efficient driving techniques.
- Lynch is constantly renewing its fleet and has a 4 year rolling replacement programme to enable us to maintain a fresh and environmentally friendly fleet of vehicles.
- With the Euro 6 engines Lynch will again be a market leader in reducing the industry's carbon footprint. With major works in and around our cities, we know the importance of reduced, cleaner emissions.

LYNCH ENDEAVOURS TO MEET THE HIGHEST EMISSION STANDARDS OF ZERO ENVIRONMENTAL AND ETHICAL BREACHES AND IN THE PROCESS REDUCE OUR CARBON FOOTPRINT





HITACHI WING GROUP

BRISTOL
EXETER
LONDON



LYNCH
HEAVY HAULAGE

HIR

000 0000

FOR
HIRE

LYNCH
HEAVY HAULAGE

FAYMONVILLE.com

EXPERIENCE

With a dedicated, modern fleet spread across five depots covering the UK, Lynch transport has many years' experience in moving all types of loads and heavy machinery up and down the country. Our experience knows no limits as we have moved and lifted into place, using our crane vehicles, items from 500kg air condition units to 10,000kg tunnel fans for Crossrail in Central London.

Our management and sales team is one of the best and most knowledgeable in the country and has the necessary experience to make sure you always have the right transport for the job, and deliver exactly when required.

Our drivers can assist with the preparation of loads for transportation, advising on best lifting practice and transport preparation. Plus, if you have an abnormal load, our sales team can arrange for notice to be given to the relevant authorities where required, as well as assisting with route planning.

- Our Artic Hiabs have worked closely with Carillion at Reading Station, moving and placing 60ft rail sections.
- Our 32t Hiabs and 3 and 4 axle low-loaders are used daily by the major piling companies to move large rigs and ancillaries around the country.
- We have moved camber vans to 50 ton tanks on our lowloaders.
- We are experts on short notice and last minute moves and can cover the whole country using our five depots and external haulier network.
- We have a 'Can do' attitude where everything is possible.



“Our company was really happy with your service and we will definitely keep you in mind for future work.”

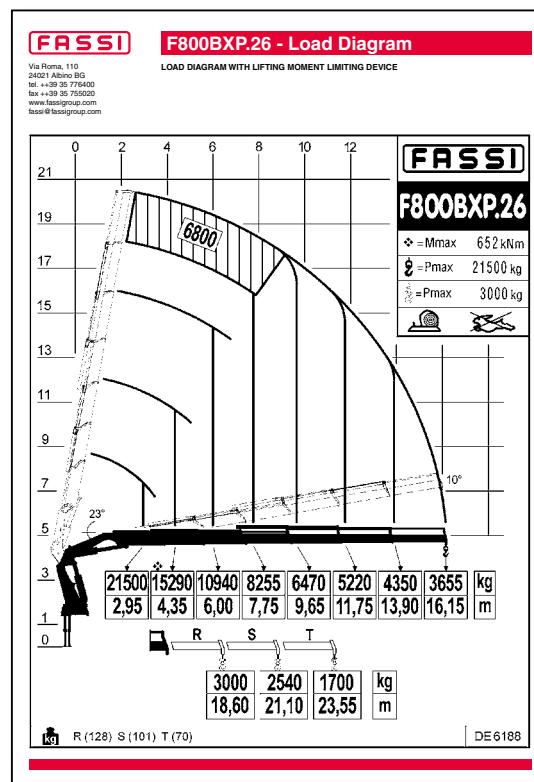
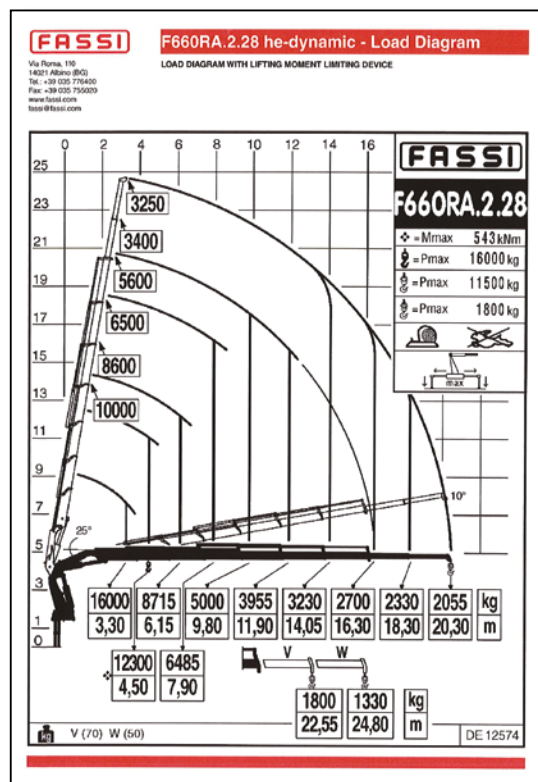
Vijay Patel,
K. Makson Steel

LYNCH HAS THE NECESSARY EXPERIENCE TO MAKE SURE YOU ALWAYS HAVE THE RIGHT TRANSPORT FOR THE JOB AND DELIVERY WHEN YOU NEED IT.

THE LYNCH FLEET

Artic HIABS

Lynch can provide a range of Artic Hiabs for transporting and lifting all types of heavy loads and machinery. These are available for immediate delivery with a driver or on a self-drive basis.





0845 400 0000

LLYNCH HEAVY LIFTING

FOR HIRE

LLYNCH HEAVY LIFTING

SCANIA

R560

G5 HTS

FOR HIRE

LLYNCH HEAVY LIFTING

LK14 BVC

STGO
CAT



32t HIAB and PM65026 crane

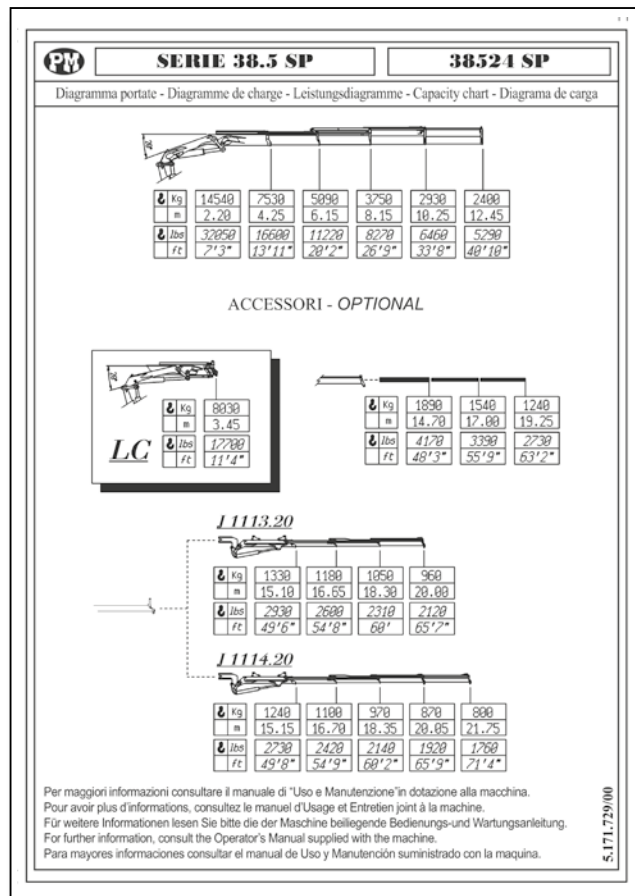
32t HIAB and Palfinger PK42502D crane

THE LYNCH FLEET (available operated or self-drive)

32t HIABS

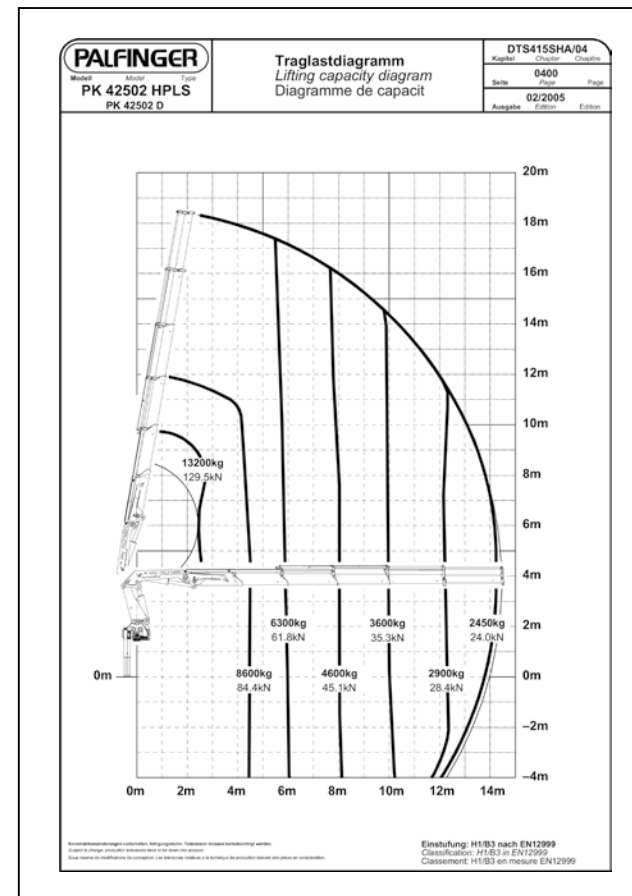
32t HIAB and PM38524SP crane

- Payload is 13 ton
- Length 12 mtrs
- Width 2.5 mtrs



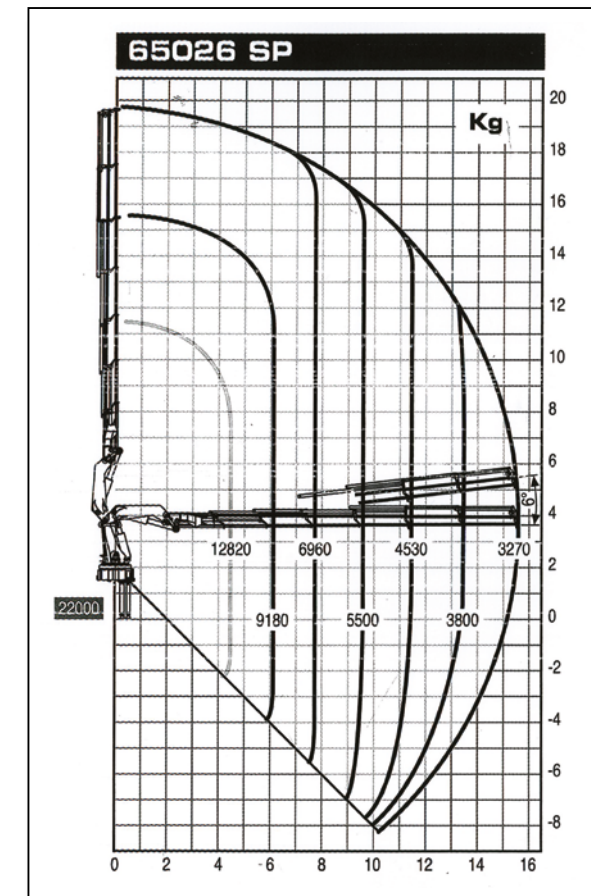
32t HIAB and Palfinger PK42502D crane

- Payload is 11 ton
- Length 12 mtrs
- Width 2.5 mtrs



32t HIAB and PM65026 crane

- Payload is 9 ton
- Length 12 mtrs
- Width 2.5 mtrs





FOR HIRE

020 8900 0000

FOR HIRE

LYNCH HEAVY LIFTING

LYNCH HEAVY LIFTING

LK14 BVC

F660

F660

F660

F660

F660

WELFARE AREA



020 8900 0000

FOR HIRE



LYNCH

370

VOLVO

KX14 LUC



0845 400 0000

LYNCH

HIRE RIGS CORP

N75.190

LYNCH

ISUZU

EURO

7.5t beavertail and winch

32t beavertail and winch

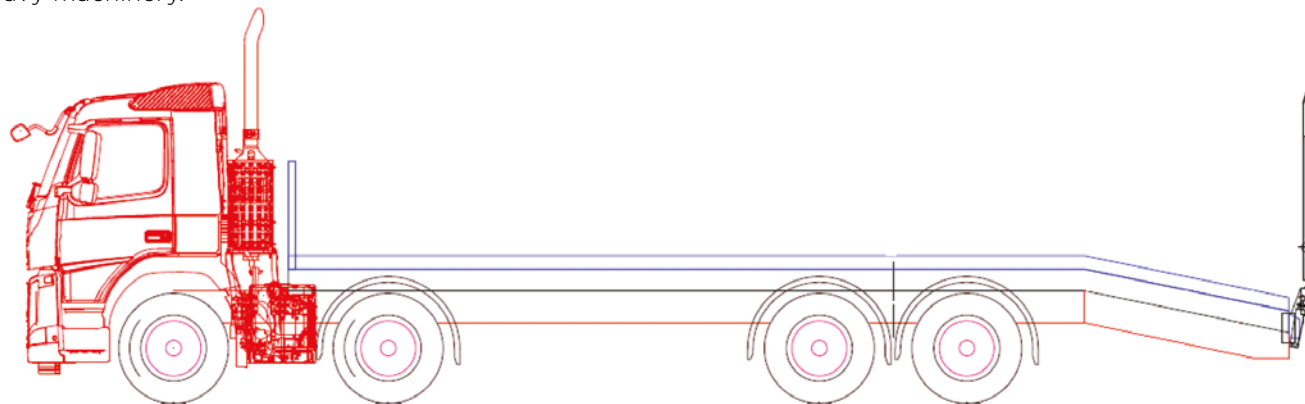
THE LYNCH FLEET (available operated or self-drive)

Beavertails

Lynch can provide a comprehensive range of beavertail lorries, with and without winch, for transporting all types of goods and heavy machinery.

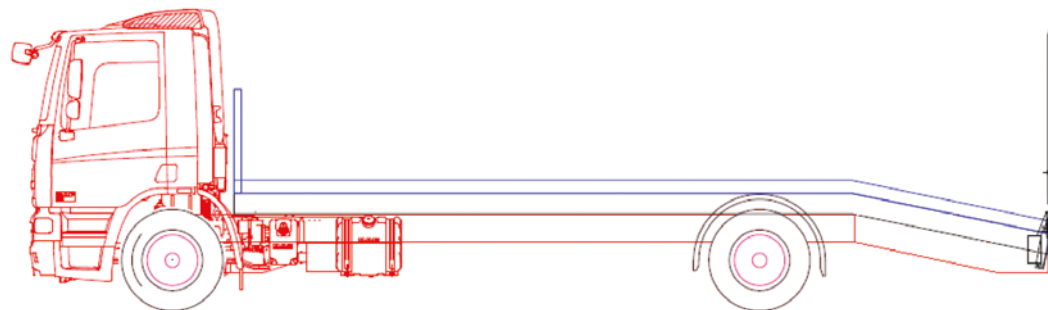
32t beavertail and winch

- Payloads are 16 ton
- Length 12 mtrs
- Width 2.5 mtrs



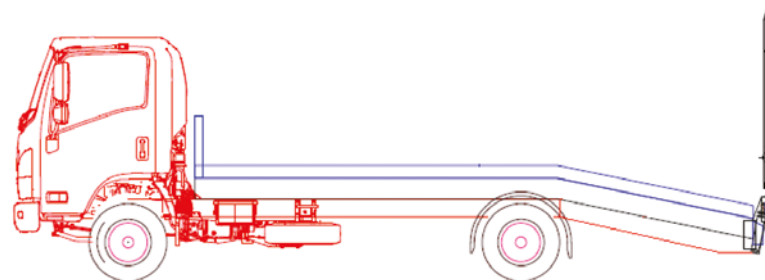
18t beavertail lorry

- Payload is 10 ton
- Length is 10 mtrs
- Width 2.5 mtrs



7.5t beavertail and winch

- Payload is 3 ton
- Length 8 mtrs
- Width 2.1 mtrs



THE LYNCH FLEET

Grabs and Tipplers

All our grab and tipper lorries are Crossrail-compliant and have the latest safety features. Lynch has the largest such fleet in the UK and is proud to be the leading provider of these vehicles. This capability comes from maintaining a modern fleet to meet the hire demands of our customers, backed by the excellent service and support upon which we have built our reputation.

Lynch's haulage service is able to provide you with on-site safety compliance, off-site waste compliance, innovative recycling and a highly responsive service.

Along with various muck and waste services Lynch can deliver WRAP-compliant recycled aggregates, primary and bagged aggregates on a same-day delivery basis.

Self-drive hire

All transport is available on a self-drive basis and can be delivered to you nationwide.

Used vehicles for sale

Full range of used and nearly new vehicles for sale. For more details email: plantsales@l-lynch.com or call: 020 8900 0000.





LYNCH

0845 400 0000
www.hydrograbhire.com

LYNCH

LYNCH
MEETING HIRE DEMANDS

LYNCH

430

LK12 BBZ

OTHER SERVICES



Lynch Plant Hire

Lynch has over thirty three years' experience and is now one of the leading UK plant hire companies with a reputation for quality, continual investment in staff and equipment and, above all, customer satisfaction.

With an expansive fleet of modern plant and equipment, Lynch provides operated, self-drive and contract hire plant to a variety of sectors within the construction arena, all with a commitment to the ongoing improvement of health and safety throughout the organisation.

Experience within the civil engineering, public utilities, ground works, highways maintenance demolition and winter maintenance sectors all provide Lynch the opportunity to offer its customers a wide portfolio of skills within the construction and rail arenas.

Lynch Direct Solutions

From small tools, road sweepers, loading shovels, mobile-cranes, industrial-forklifts, crushers to concrete pumps, access equipment and accommodation, Lynch Plant Direct Solutions works closely with its customers to provide a bespoke service solution to help achieve their goals.

Our experienced team of plant managers is on call to help and advise you with all your equipment needs. The service covers literally everything, from ordering and sourcing, administration, coordination, training, monitoring, electronic invoicing to your back office, right through to health and safety. We can tailor on hire and other management reports to suit your needs.

Lynch Plant Direct Solutions not only gives you complete access to our entire product range but also access to a service that can outsource other products to complement our core equipment.



Lynch Skip Hire

Lynch is now one of the leading names in waste management and, when it comes to hiring a skip from us, we don't compromise on service or cost.

Due to our size, national coverage and network connections, we offer the best rates for skip hire anywhere in the country. We guarantee your skip will be on site, when you want it, without any fuss.

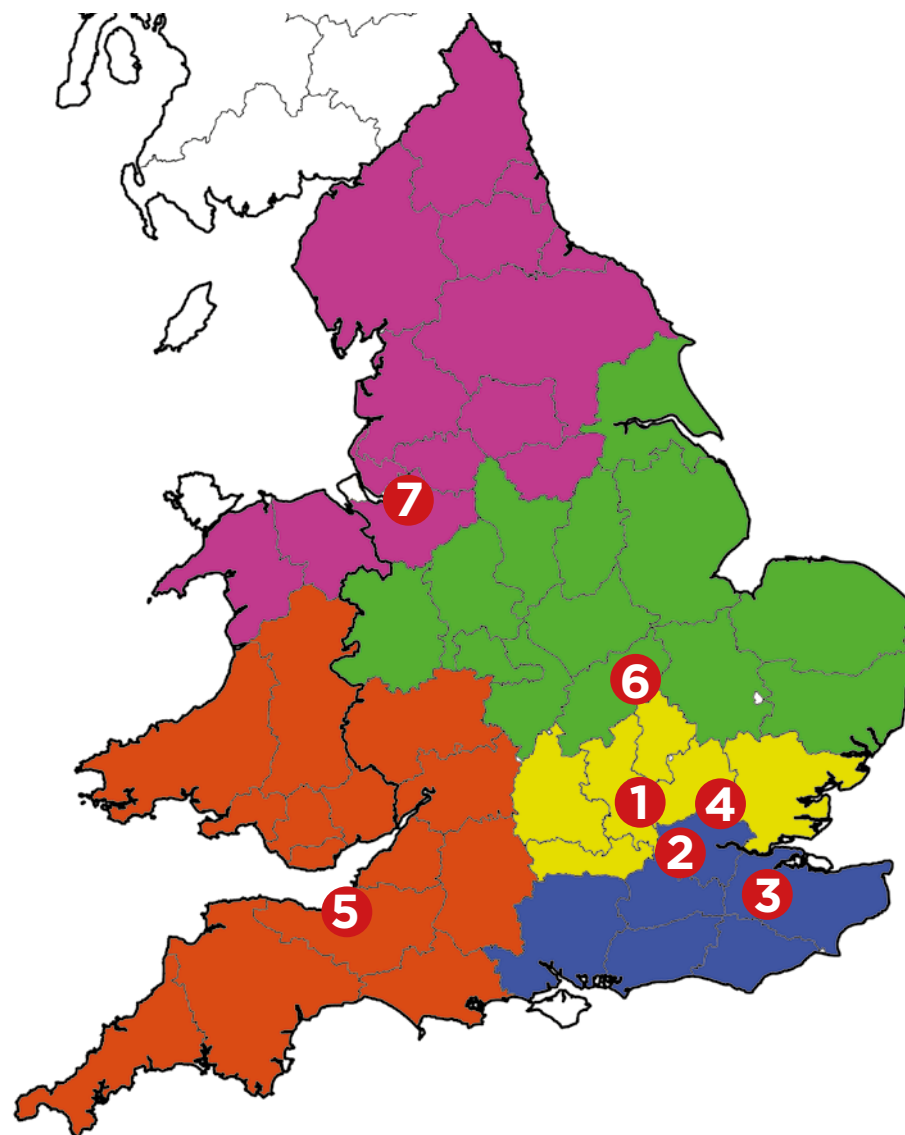


We offer a wide range of skips to fit your waste removal requirements, including house renovation, small scale construction works, wood or steel collection, construction demolition waste and large scale compactable waste, as well as hazardous waste.

Lynch is fully licensed with the Environment Agency, being issued with Waste Carriers Licenses. Also, we have fully Licensed Material Recycling Facilities to recycle your waste, and we will give you a complete set of documentation as required by law.

For more details on any of these services please call the Lynch team on 020 8900 0000

DEPOTS AND OPTIMAL COVERAGE AREAS



KEY ACCOUNTS DESK
 T: 0333 0066 000
 E: keyaccounts@l-lynch.com

1 LYNCH HEAD OFFICE

Boundary Way, Hemel Hempstead
 HP2 7UD
 Tel: 020 8900 0000

2 LYNCH LONDON & HOME COUNTIES

Parr Road, Honeypot Lane, Stanmore, Middlesex HA7 1LE
 T: 020 8900 0000
 F: 020 8733 2020

3 LYNCH LONDON & SOUTH EAST

Hawley Rd, Dartford, Kent, DA1 1PD
 T: 01322 475476

4 LYNCH BRENTWOOD

Codham Hall Farm, Codham Hall Warley, Brentwood CM13 3JT

5 LYNCH SOUTH WEST

Polden Business Centre, Bristol Road, Bridgwater, Somerset TA6 4AW
 T: 01278 431 011

6 LYNCH MIDLANDS

Sanders Lodge Ind Est, Rushden NN10 6BQ
 T: 01604 643 377
 F: 01933 316 012

7 LYNCH NORTH WEST

Riverside Industrial Est. Bridge Lane, Woolston Warrington WA1 4BA
 Tel: 01925 599 999



LYNCH

MEETING HIRE DEMANDS

TO FIND OUT MORE
ABOUT LYNCH CALL
020 8900 0000
OR VISIT
WWW.L-LYNCH.COM